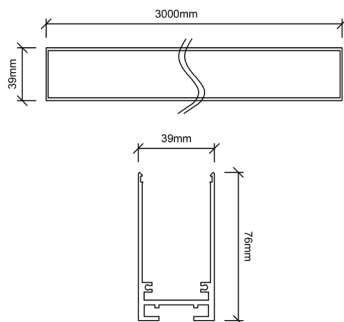


# MAGNI TRACK SURFACE



- Ⓒ CE certified
- ⌚ 50.000 h
- ✓ 5 year warranty
- Ⓐ A-label



## SPECIFICATIONS

SIZE	300*39*76
WEIGHT	5,49 kg
HOUSING MATERIAL	Aluminium
HOUSING COLORS	Sandy Black (RAL9005) / Sandy White (RAL9003)
ADJUSTABLE	No
IP RATE	IP20

## TECHNIC SPECS

INSTALLATION	Surface / Pendant / Recessed
INPUT VOLTAGE	24V (48V optional)
INPUT CURRENT	8A Max
POWER	200W Max
POWER FACTOR	0.9
DIMMING	Triac / 1-10V / Dali
CONNECTION	Terminal Block

## PRODUCTCODES

BLACK	WHITE
170-005	170-006