

## INNER CORNER RECESSED



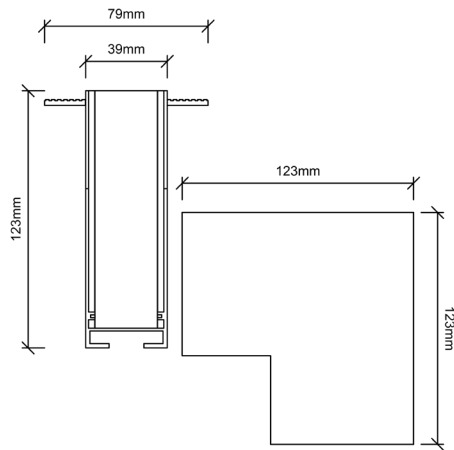
- CE certified
- 50.000 h
- 5 year warranty
- A-label

### SPECIFICATIONS

SIZE	123*123*76
HOUSING MATERIAL	Aluminium
HOUSING COLORS	Sandy Black (RAL9005) / Sandy White (RAL9003)

### TECHNIC SPECS

INSTALLATION	Recessed
--------------	----------



### PRODUCTCODES

BLACK  
170-038

WHITE  
170-039