

INPUT TERMINAL



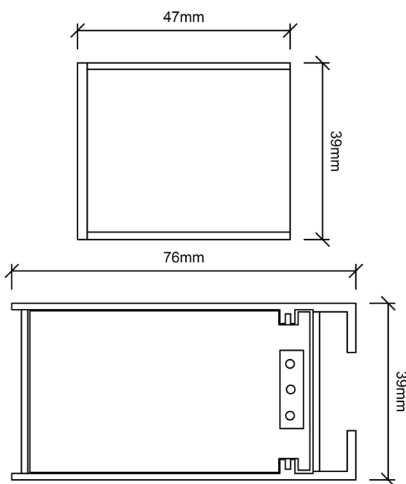
- CE certified
- 50.000 h
- 5 year warranty
- A-label

SPECIFICATIONS

SIZE	47*76*39
HOUSING MATERIAL	Aluminium
HOUSING COLORS	Sandy Black (RAL9005) / Sandy White (RAL9003)

TECHNIC SPECS

INSTALLATION	Input terminal for magnetic track, includes pin connector, track connector and cable.
--------------	---



PRODUCTCODES

BLACK
170-067

WHITE
170-068