



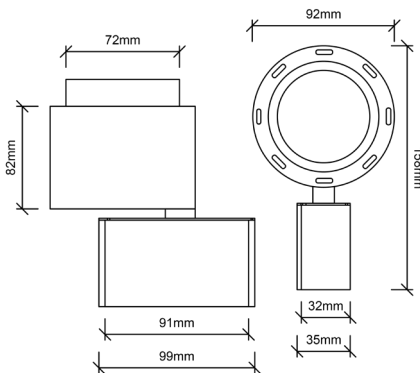


## SENDAI



-  CE certified
-  50.000 h
-  5 year warranty
-  A-label



### SPECIFICATIONS

SIZE	Ø 92*158
WEIGHT	0,69 kg
HOUSING MATERIAL	Aluminium
HOUSING COLORS	Sandy Black (RAL9005) / Sandy White (RAL9003)
ADJUSTABLE	Yes (95° - 360°)
IP RATE	IP20

### TECHNIC SPECS

INPUT VOLTAGE	24V (48V optional)
POWER	15W
POWER FACTOR	0.9
DIMMING	24V (Independently Dali dimming optional)
CONNECTION	Magnetic

### LICHT SPECS

LIGHT SOURCE	Cree
LED TYPE	SMD
COLOR TEMPERATURE	2700K / 3000K / 4000K
BEAM ANGEL	10° / 20° / 30°
LUMEN	750 Lm
CRI	> 90

### PRODUCTCODES

BLACK	2700K	3000K	4000K	WHITE	2700K	3000K	4000K
10°	170-812	170-815	170-818	10°	170-821	170-824	170-827
20°	170-813	170-816	170-819	20°	170-822	170-825	170-828
30°	170-814	170-817	170-820	30°	170-823	170-826	170-829