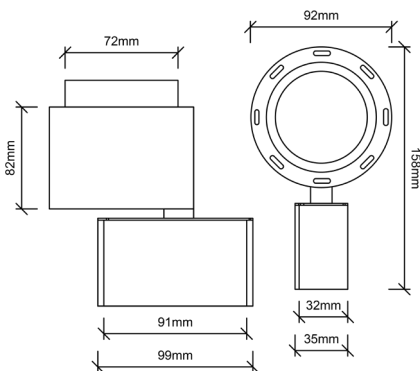


## SENDAI CURVE

- ☑ CE certified
- 🕒 50.000 h
- ✓ 5 year warranty
- Ⓐ A-label



### SPECIFICATIONS

SIZE	Ø 92*158
WEIGHT	0,69 kg
HOUSING MATERIAL	Aluminium
HOUSING COLORS	Sandy Black (RAL9005) / Sandy White (RAL9003) / Brass
ADJUSTABLE	Yes (95° - 360°)
IP RATE	IP20

### TECHNIC SPECS

INPUT VOLTAGE	24V (48V optional)
POWER	15W
POWER FACTOR	0.9
DIMMING	24V (Independently Dali dimming optional)
CONNECTION	Magnetic

### LICHT SPECS

LIGHT SOURCE	Cree
LED TYPE	SMD
COLOR TEMPERATURE	2700K / 3000K / 4000K
BEAM ANGEL	10° / 20° / 30°
LUMEN	750 Lm
CRI	> 90

### PRODUCTCODES

BLACK	2700K	3000K	4000K	WHITE	2700K	3000K	4000K
10°	171-226	171-229	171-232	10°	171-235	171-238	171-241
20°	171-227	171-230	171-233	20°	171-236	171-239	171-242
30°	171-228	171-231	171-234	30°	171-237	171-240	171-243

BRASS	2700K	3000K	4000K
10°	171-363	171-366	171-369
20°	171-364	171-367	171-370
30°	171-365	171-368	171-371